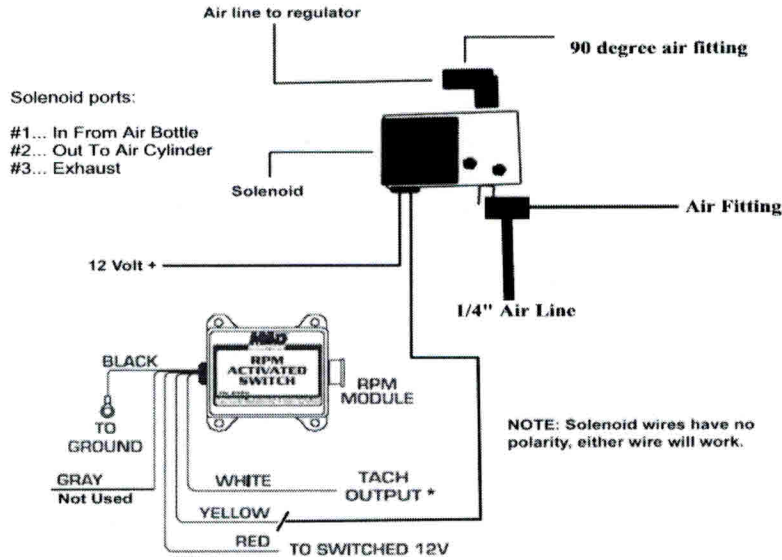


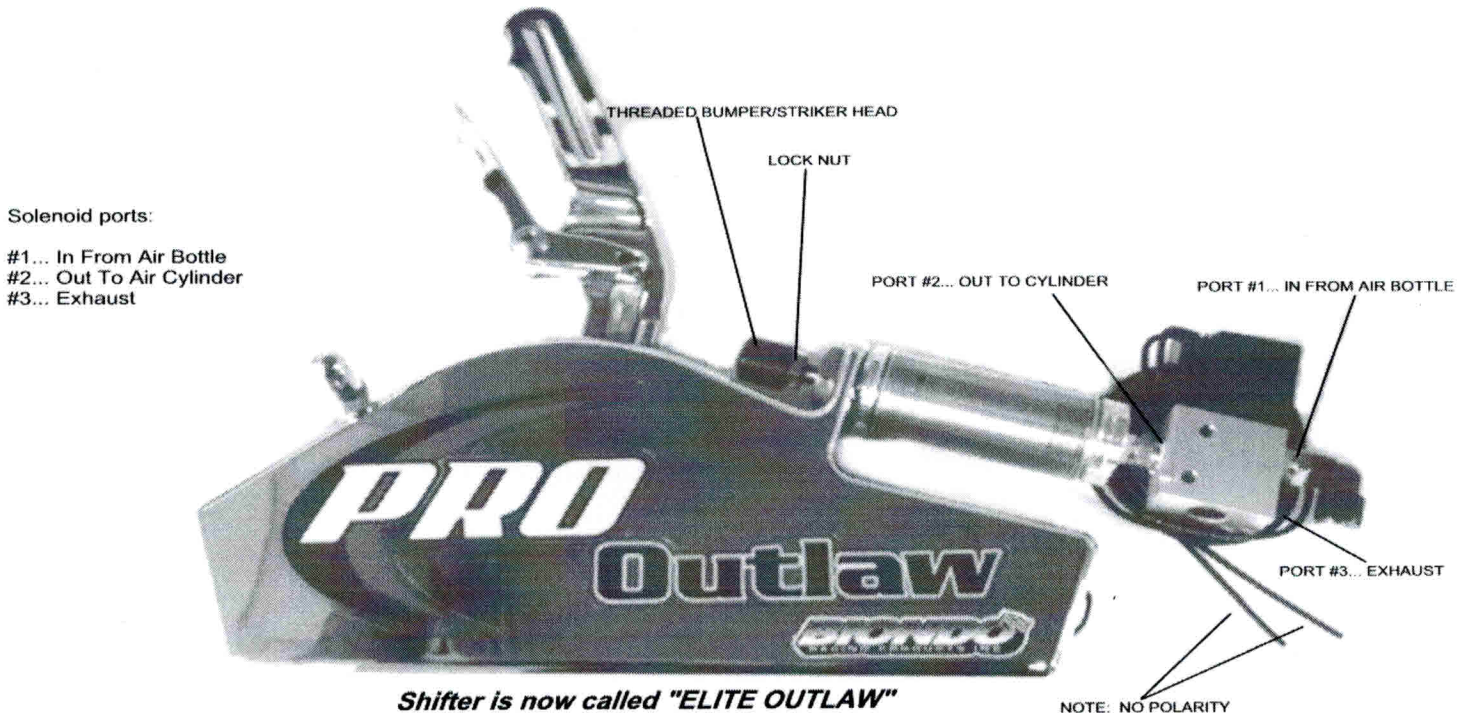


WWW.Biondoracing.com



NOTE: PLEASE REFER TO YOUR CURRENT RPM SWITCH FOR PROPER HOOKUP

NOTE: WHEN SETTING UP BUMPER/STRIKER HEAD, MAKE SURE SHIFTER IS IN "2ND GEAR" AND THAT THERE IS AT LEAST A 1/8" GAP BETWEEN HANDLE AND HEAD.(WITH AIR CYL. FULLY EXTENDED)



**CO2 HOOKUP FOR "STANDARD OUTLAW"..ELITE OUTLAW, AND PRO BANDIT
ALSO FOLLOW DIAGRAM FOR: PB-CYLSOL**